

Print: 17.04.2002 14:10 RUSINA_1:\CI_DIA\ci16.DWG

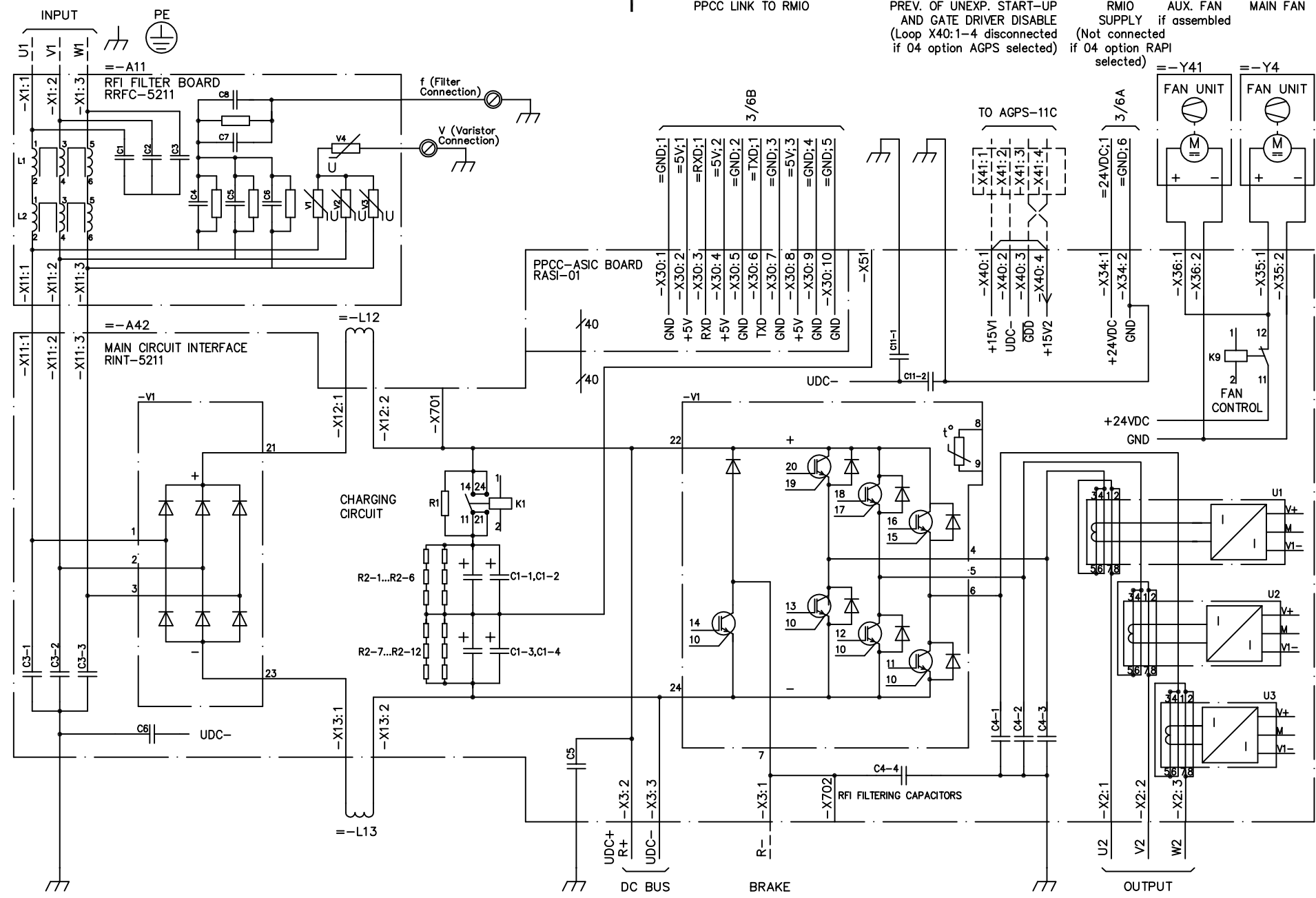
Cust. Doc. No.		Prepared	17.04.2002	T.DRUFVA	ACS800-01 R2-R3	Circuit Diagram		Item des.	
Customer		Approved	17.04.2002	V.TIIHONEN	Main circuit	EFS2		Rev.ind. B Lang. en	
		Project	ACS800-01		General diagram	Resp.dept. EGC000		Sheet 0	
B	Rev. Note	Date	Name	ABB Ref. No.	3AFE 6454 2257		Cont. -		



We reserve all rights in this document and in the information contained therein. Reproduction, use or disclosure to third parties without express authority is strictly forbidden. Copr. ABB Automation

We reserve all rights in this document and in the information contained therein. Reproduction, use or disclosure to third parties without express authority is strictly forbidden. Copr. ABB Automation

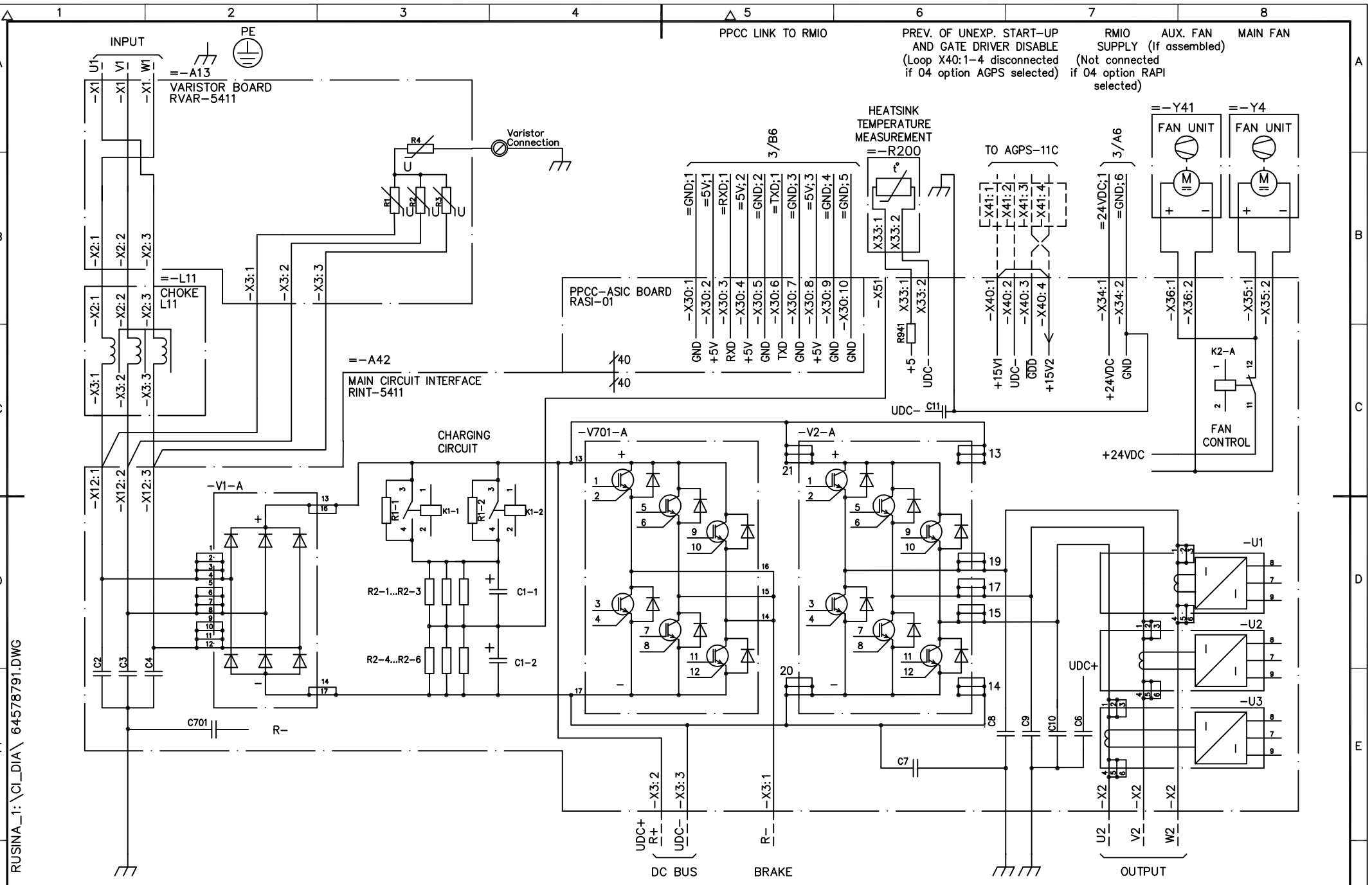
RUSINA_1:\CI_DIA\ 64542443.DWG



Cust. Doc. No. Customer	Prepared 02.09.2003	Drufva Tomi	Title ACS800-01/04 R2 230...500V	Product Circ.Diagram	Item des. =R2_5_125
	Approved 06.10.2004	Källman Jan	+E202 0001-2...0005-2	EFSS2	
	Project ACS800		0003-3...0009-3 0004-5...0011-5	Resp.dept. EGC000	Revind. C Lang. en
ABB Ref. No.			ABB ABB Drives	Doc. No. 3AFE 6454 2443	Sheet 1 Cont. 3

We reserve all rights in this document and in the information contained therein. Reproduction, use or disclosure to third parties without express authority is strictly forbidden. Copr. ABB Automation

RUSINA_1:\CI_DIA\ 64578791.DWG



Cust. Doc. No. Customer	Prepared 02.09.2003	Drufva Tomi	Title ACS800-01/04 R4 NonEMC	Product Circ.Diagram	Item des. =R4_5_025
	Approved 06.10.2004	Källman Jan	0016-2...0020-2 0025-3...0030-3 (0035-3) 0030-5...0040(0045)-5	EFSS2	
	Project ACS800			EGC000	Revind. C Lang. en
ABB Ref. No.	ABB ABB Drives			Doc. No. 3AFE 6457 8791	Sheet 1 Cont. 3